



BIGFOOT XD

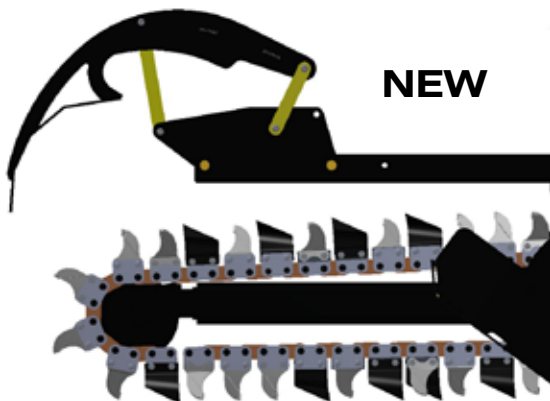
REASON	DATE
A major overhaul of the Bigfoot XD Trencher design has resulted in the most user friendly trencher on the market. The upgrades have centered around improved operator and trencher efficiency while increasing longevity. The upgrade affects all Bigfoot XD models.	Feb 2015

Updated Features

- Head Start Crumber
- Larger Barrel
- Heavy Duty Danger Bar
- Redesigned Skid Foot
- Redesigned Spoil Auger

NEW CRUMBER SYSTEM

Digga's new patent pending Crumber System, 'Head Start', offers a wider range of movement which allows the Crumber to be left in the down (operating) position when starting a trench. This eliminates the need for the operator to physically get out of the machine and re-position the Crumber as is required with the older system. The illustration below shows a comparison between the old Crumber and the new in their fully retracted position.

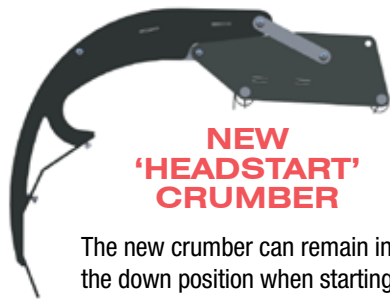


COMPARISON

CRUMBER



OLD CRUMBER



NEW 'HEADSTART' CRUMBER

The new crumber can remain in the down position when starting a trench. This eliminates the need for the operator to get out of the machine once the trench has been started - saving time and money.

DANGER BAR

OLD



NEW



The Danger Bar size has been increased by 25% to accommodate the new Headstart crumber system. The new 65mm bar also reduces flex, ensuring the crumber bar works more efficiently.



SIDE VIEW

COMPARISON

SKID FOOT



OLD



NEW

The foot has been re-designed to enable it to be seen from the cab, allowing the operator to clearly see when it is in the correct trenching position without the need for a spotter.

The design also feeds the overburden back onto the chain, transferring it to the spoil auger for a cleaner, clearer work side of the trench.

TOP VIEW

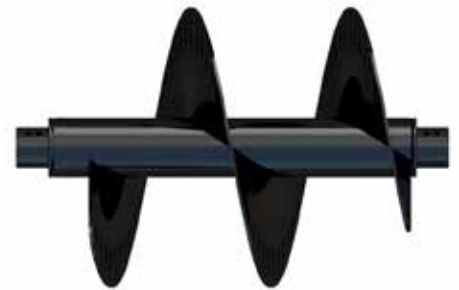


SPOIL AUGER

OLD



NEW



The new spoil auger benefits from 3 new improvements. Increased in length, more flighting and a thicker pipe. All help to better clear the spoil from the trench.

Efficient spoil clearance increases the cutting productivity of the chain by reducing the amount of dirt which falls back into the trench.

BARREL

OLD



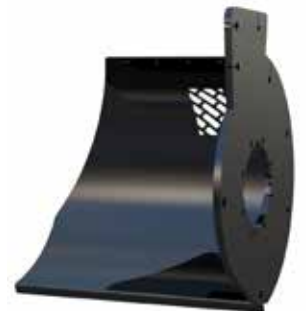
TOP VIEW



NEW

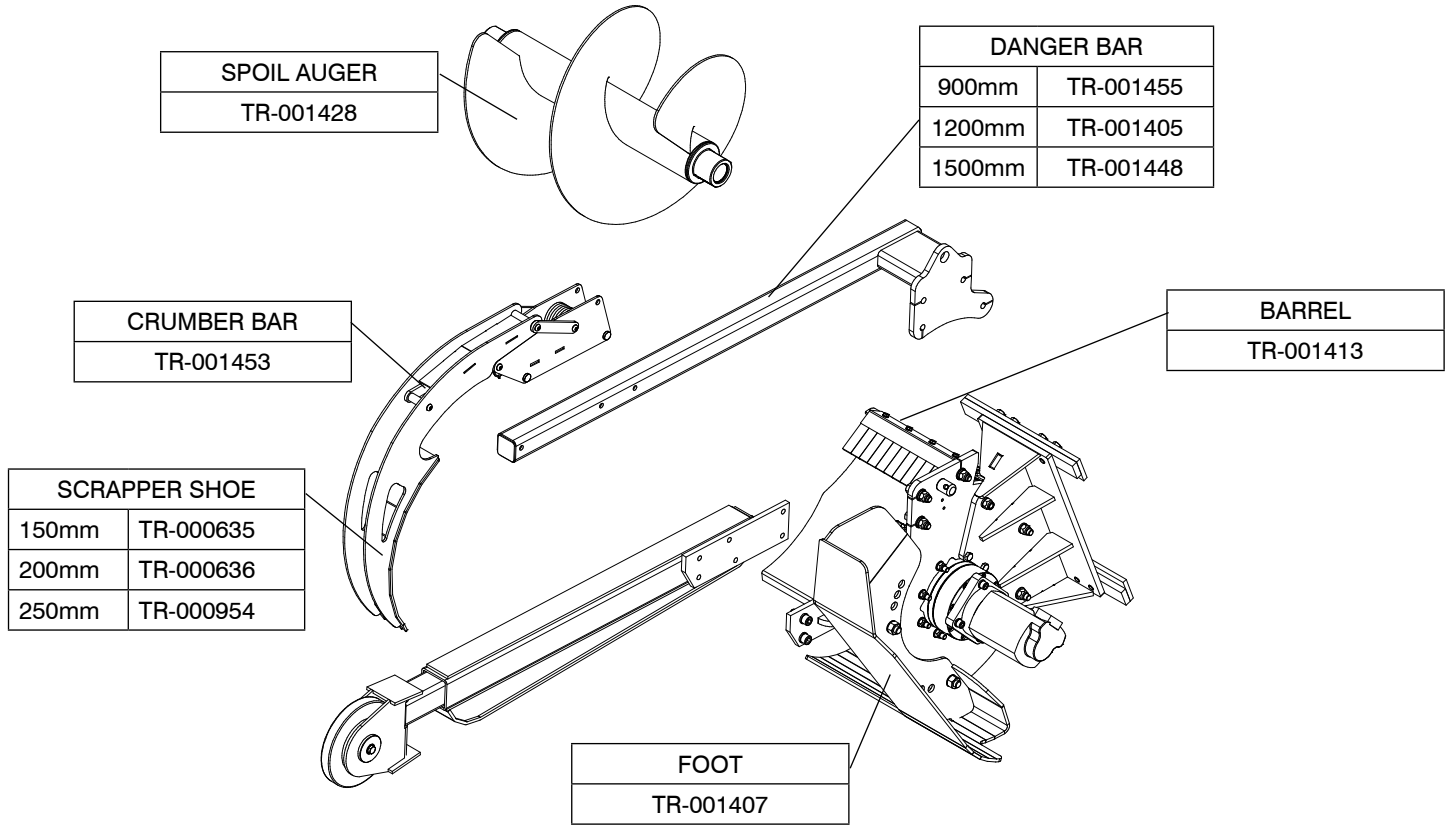


TOP VIEW



The barrel has been lengthened to better remove spoil. Working in conjunction with the new spoil auger, the barrel directs spoil away from the trench more efficiently, resulting in more trenching per hour. A window has been added to the back of the barrel allowing the operator to see the chain.

NEW PART NUMBERS



COMPATIBILITY TO OLD MODEL

All new parts except the crumber bar are compatible to the current Bigfoot trencher models. The new crumber will only fit onto the new 65mm danger bar.

If a replacement crumber or danger bar is required, the customer will need to purchase a new crumber and danger bar.



DANGER BAR RETRO FIT KITS (Includes Danger Bar, Headstart Crumber, Nuts, Bolts and Washers)	
900mm	TR-001492
1200mm	TR-001493
1500mm	TR-001494